

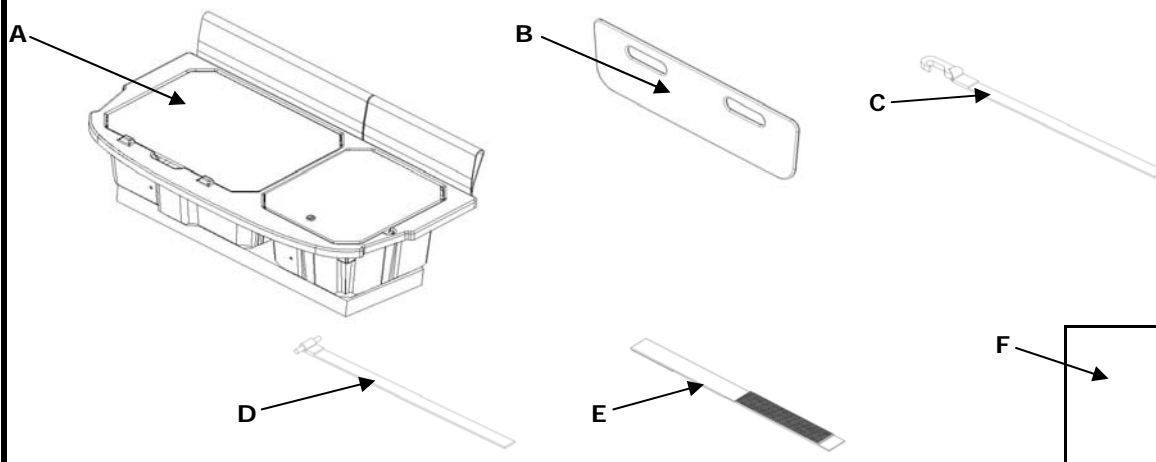


## GENUINE PARTS

### INSTALLATION INSTRUCTIONS / CHILD RESTRAINT ATTACHMENT / OGRANIZER USAGE INSTRUCTIONS

- DESCRIPTION:** Cargo Organizer
- APPLICATION:** 2010 Cube
- PART NUMBER:** 999C2 8V000GY & 999C2 8V001BK
- KIT CONTENTS:**

Item	Qty.	Description
A	1	Cargo Organizer
B	1	Divider
C	2	Front Attachment Straps
D	2	Rear Attachment Straps
E	2	Seat Pull Strap Extension
F	1	<a href="#">Installation Instructions</a> <a href="#">Replacement Template</a>



- TOOLS REQUIRED:** #2 Phillips Screw Driver

#### 6. PRE-INSTALLATION CAUTIONS/NOTES:

#### WARNING

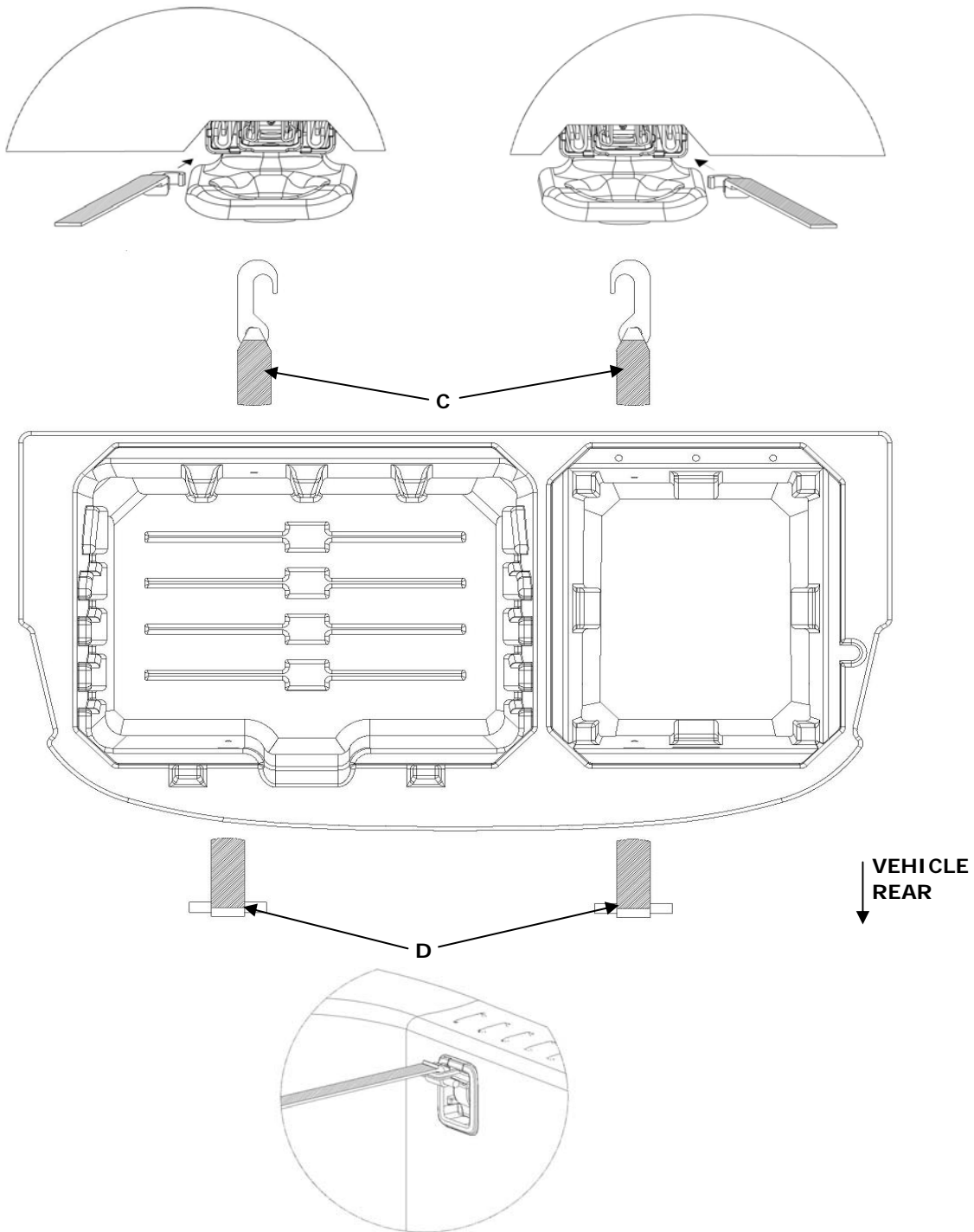
- Care should be taken to avoid damaging the interior panels while installing or removing the organizer.
- Follow all of the child restraint manufacturer's and vehicle owner's manual instructions and warnings for installation and use. It may not be possible to properly install some types of child restraints in your vehicle.
- When returning the rear seatback to the upright position, be certain it is completely secured in the latched position. If it is not completely secured, passengers may be injured in an accident or sudden stop.

#### CAUTION

- Maximum load of 150lbs (68Kg).

# INSTALLATION INSTRUCTIONS - Cargo Organizer

## 7. ORGANIZER INSTALLATION OVERVIEW:



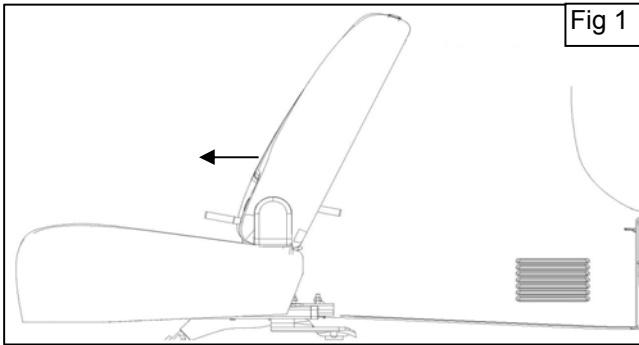
## 8. CRITICAL STEPS:

The following steps are critical and must be performed EXACTLY as specified to ensure proper installation:

- Keep the loop (fuzzy) side of the straps facing up when installing the organizer.
- Feed the (2) Rear Attachment Straps (D) and (2) Front Attachment Straps (C) through the (4) buckles already attached to the bin. Keep the straps loose to start.
- Feed the (2) Rear Attachment Strap (D) plastic dowels through the cargo tie-down loops from the top
- Attach (2) Front Attachment Straps (C) to the side of the 2nd row seat floor brackets.
- Pull the (2) Rear Attachment Straps tight and then the (2) Front Attachment Straps.

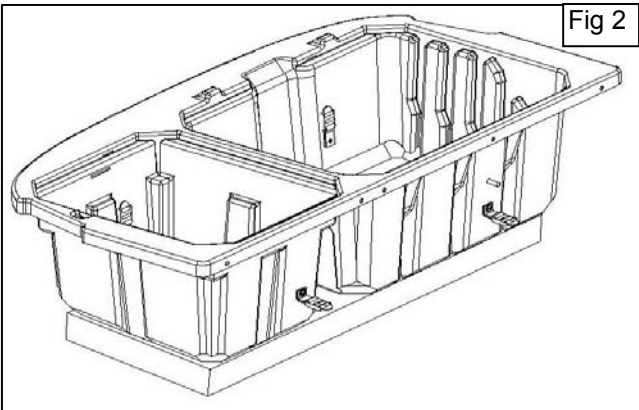
# INSTALLATION INSTRUCTIONS - Cargo Organizer

## 9. ORGANIZER INSTALLATION PROCEDURE:



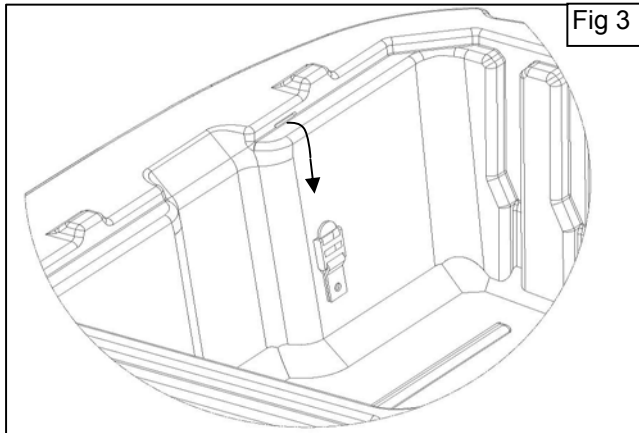
### 1) Vehicle Preparation:

- a) Remove cargo cover and any cargo from the space behind rear seats.
- b) Slide the rear seats to the full forward position. **See Figure 1**



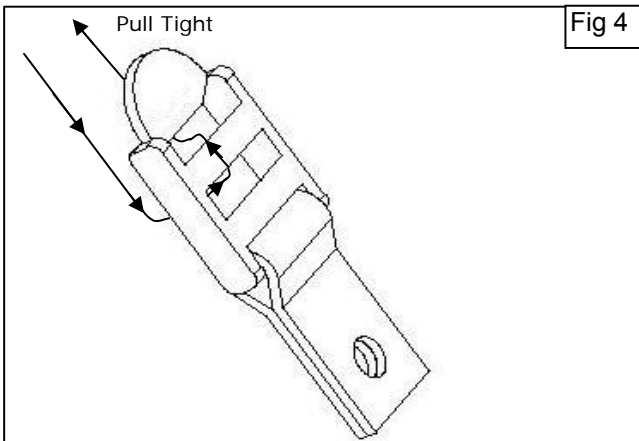
### 2) Organizer Preparation:

- a) Set the organizer down outside the vehicle and remove the straps from the kit bag. **Figure 2** not showing lids/covers for clarity



- b) Using the Rear Attachment Straps (D) provided, starting with the driver side, feed the free end of the strap through the slot on the bin. Be sure to keep the loop (fuzzy) side facing up. **See Figure 3**

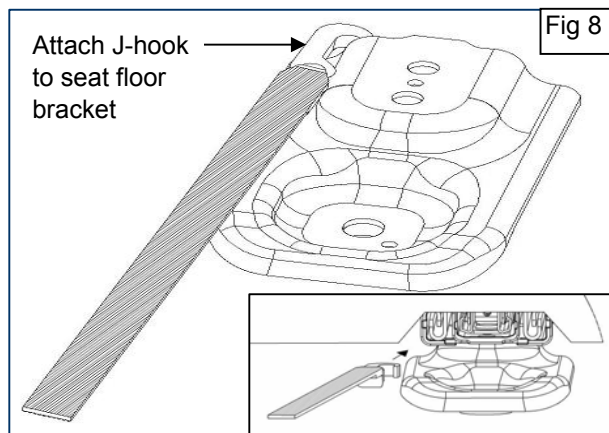
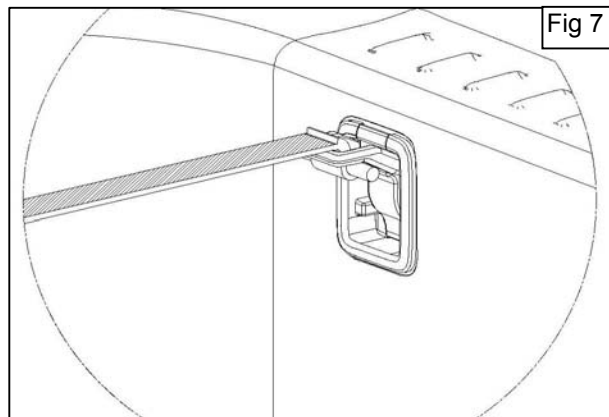
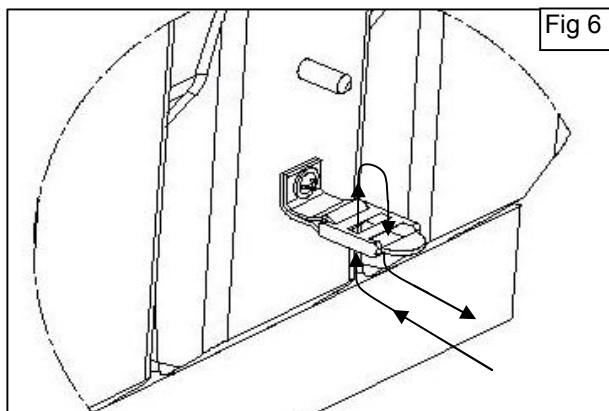
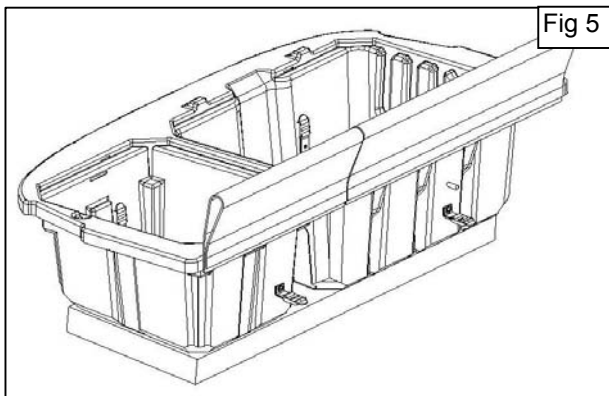
- c) Now feed the strap through the buckle using the procedure in **Figure 4**. Do not tighten. Leave as much slack as possible in the strap to ease installation.



- d) Repeat Steps 2-b&c for the passenger side.

# INSTALLATION INSTRUCTIONS - Cargo Organizer

## 9. ORGANIZER INSTALLATION PROCEDURE:



e) Using the Front Attachment Straps (C) provided, starting with the driver side, feed the free end of the strap through the buckle using the procedure in **Figure 6**. Be sure to keep the loop (fuzzy) side facing up. Do not tighten. Leave as much slack as possible in the strap to ease installation.

f) Repeat Step 2-e for the passenger side.

### 3) Attaching the Organizer to Vehicle:

a) Place the organizer into the vehicle cargo area.

b) Starting with the driver side, feed the Rear Attachment Strap (D) plastic dowel through the top of the cargo tie-down loop. **See Figure 7**

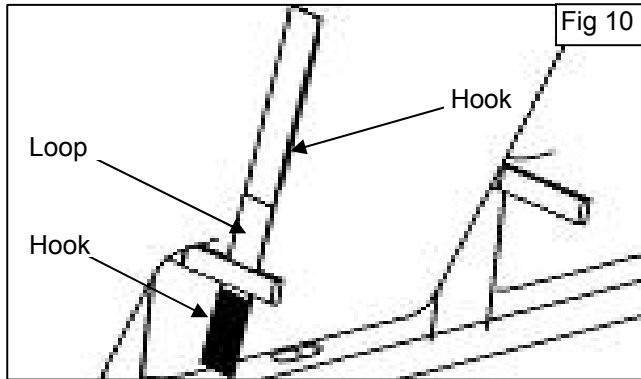
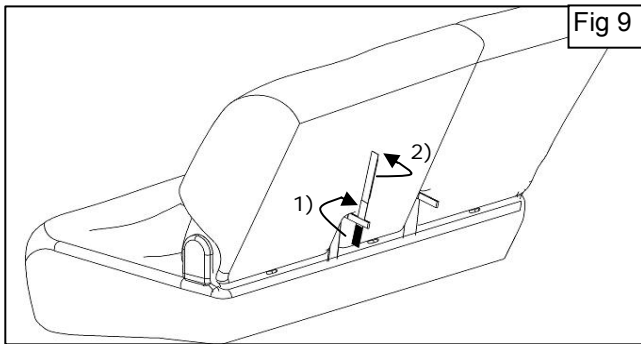
c) Repeat Step 3-b for the passenger side. Then tighten down both straps, making sure the organizer is snug to the rear sill.

d) Starting with the driver side, hook the Front Attachment Strap (C) to the forward edge of the seat floor bracket. **See Figure 8**

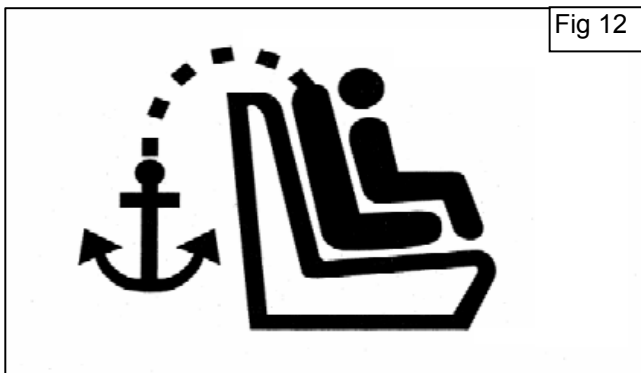
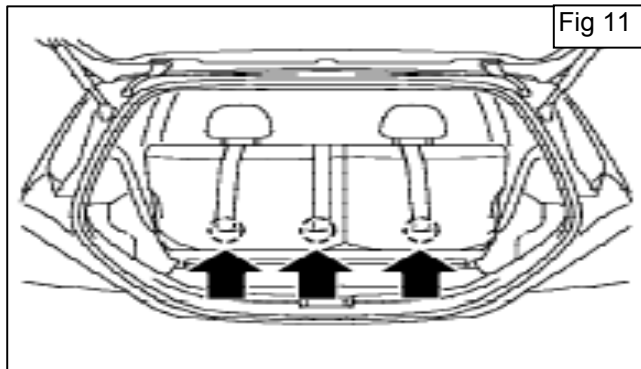
e) Then repeat Step 3-d for the passenger side. Pull both straps tight afterwards.

# INSTALLATION INSTRUCTIONS - Child Safety Tether

## 9. ORGANIZER INSTALLATION PROCEDURE:



## 10. CHILD SAFETY TETHER ATTACHMENT:



### 4) Attaching the Seat Pull Strap Extension:

- a) **1)** Feed the short hook end of the strap through the existing pull straps and close the hook on the opposing loop. **2)** Attach the other end of the strap to the back of the seats so that it is accessible when the organizer is installed. **See Figure 9 & 10**

### 5) Attaching The Child Safety Tether's

- a) Your vehicle is equipped with top tether anchors. Anchor points are located on the back of the rear seats. **See Figure 11**
- b) To access the top tether anchors during Child Restraint installation with the cargo organizer installed in the vehicle, tilt the rear seats by folding the seatback forward to the 'folded' or 'stowed' position
- c) The icons in **Figure 12** on the cargo organizer will help assist you in locating the proximity of the anchor points on the seat back.
- d) After securing the top tether strap to the tether anchor point, return the seatback to the upright position and proceed with the Child Restraint installation steps provided in the vehicle owner's manual.

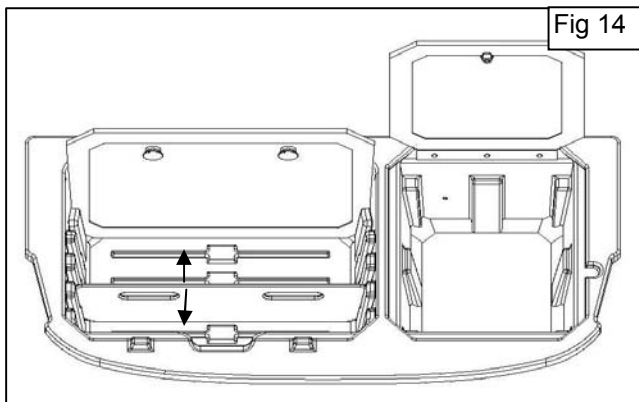
## INSTALLATION INSTRUCTIONS - Cargo Organizer Usage

### 11. ORGANIZER USE:

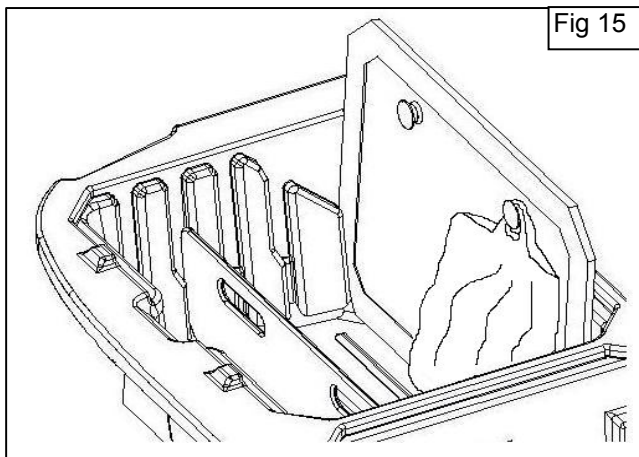


#### 6) Organizer Proper Use

- a) Your organizer has retention features on either side of each bin to hold up the large lid. To engage these tilt the lid forward, and then seat the lid edge on the bottom of the bin. **See Figure 13.**



- b) Your organizer also has one removable divider in it. It can be lifted out and placed in the desired location. **See Figure 14.**



- c) The hooks on the underside of the large lid can be used to lift and close the lid as well as for holding up grocery bag handles. **See Figure 15.**